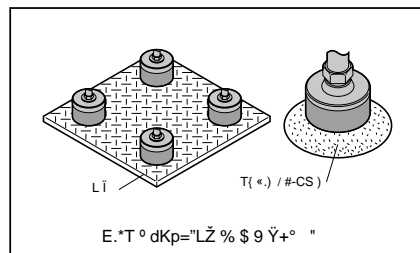
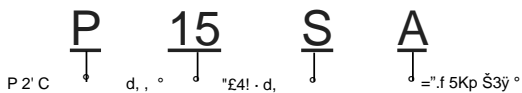


K/i d, Vacuum Pad

K/i d, - "£4! · PS

d, E5 ·

·U·



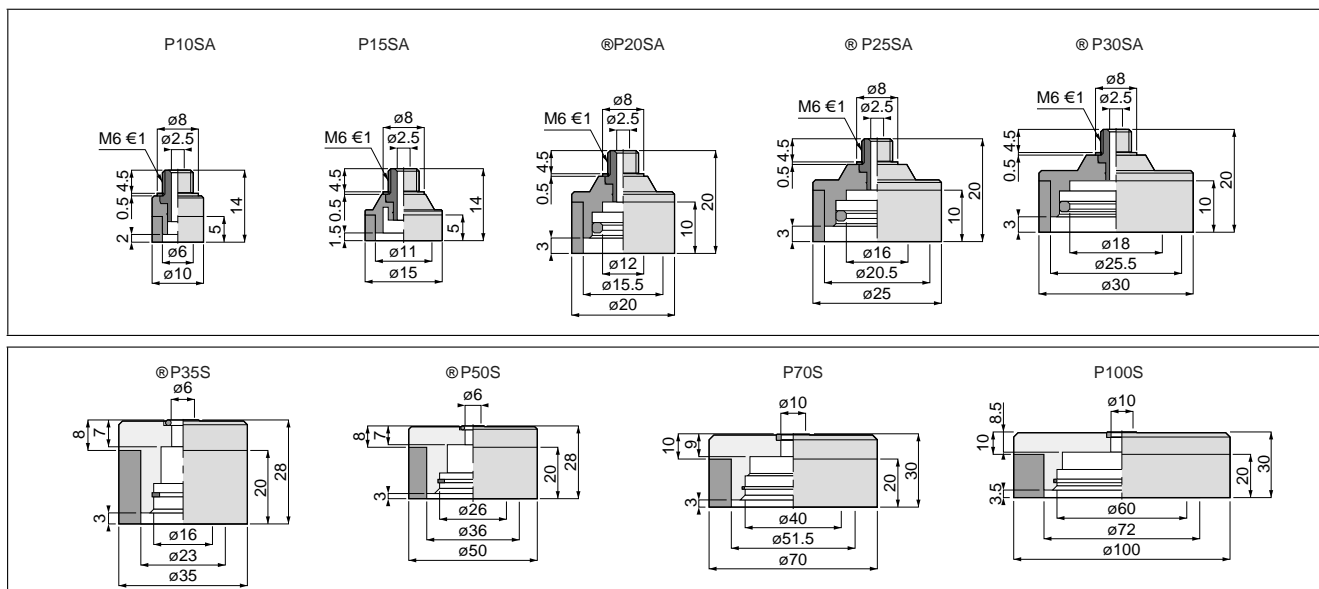
d, , ° ·yU·NN

--	10	15	20	25	30	35	50	70	100
, °	Ø10	Ø15	Ø20	Ø25	Ø30	Ø35	Ø50	Ø70	Ø100

1=ñ á ;	DBS K
D # 10pcs	1pcs/ = f'qJ, Ó íU·z „ qBŠU· BS K,7X f Uá V °
"U · D = ".f d, , ° U(mmUCE A ñ NDú7 *a X \$ ÔA	

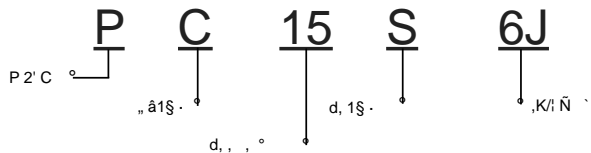
B Ž f \$ * "U · % f'qJ, > ð hU · z „ qBŠ

@ÎBS8/ · P15SA



d, 3ð "E5 ·

·U·



, K/i Ñ

, K/i Ñ	E · T > ð h	c ·	
p Ñ ·	4J	Ø4 D:óí	
	6J	Ø6 D:óí	
07 · Ñ ·	4B	Ø4 D:óí	
	6B	Ø6 D:óí	
<æ3á á ;	01	3 D	
	02	3 D	

, K/i d, „ á1Š ·

--	PA & Æ ; MçF , K/i0	PB & Æ ; ÓLŽ , K/i0	PC e1S ; MçF , K/i0	PD e1S ; ÓLŽ , K/i0	PF e1S ; , Ñ µ=ñ ·
Ž'á					

d, , ° ·yU·NN

--	10	15	20	25	30	35	50	70	100
, °	Ø10	Ø15	Ø20	Ø25	Ø30	Ø35	Ø50	Ø70	Ø100

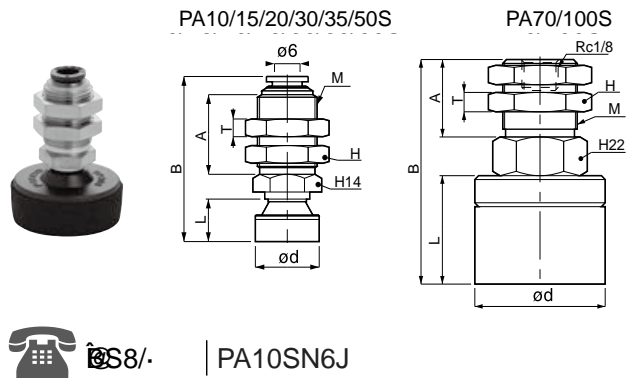
Vacuum Pad



PAK/DEKÑ

-	#			D						
	d	1S	K/N	gP/B	M	H	T	A	L	
PA & Æ ; M F K / 0	10	S	6J	37	M14X1	17	4	20	9.5	
	15			37	M14X1	17	4	20	9.5	
	20			43	M14X1	17	4	20	15.5	
	25			43	M14X1	17	4	20	15.5	
	30			43	M14X1	17	4	20	15.5	
	35			56	M14X1	17	4	20	28	
	50			56	M14X1	17	4	20	28	
	70			01	60	M20X1	17	5	24	30
	100				60	M20X1	17	5	24	30

Ød K NNK/01*
ASAX Mp339

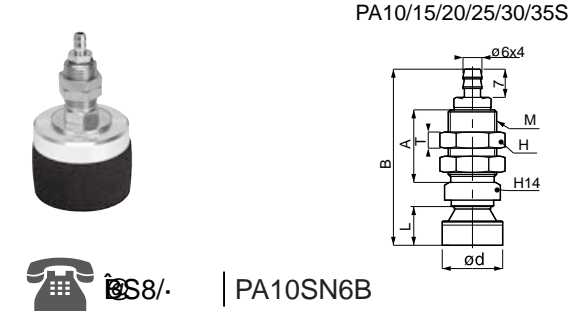


☎ @S8/ | PA10SN6J

PAK/D07-Ñ

-	#			D					
	d	1S	K/N	gP/B	M	H	T	A	L
PA & Æ ; M F K / 0	10	S	6B	44	M12X1	17	4	18	9.5
	15			44	M12X1	17	4	18	9.5
	20			50	M12X1	17	4	18	15.5
	25			50	M12X1	17	4	18	15.5
	30			50	M12X1	17	4	18	15.5
	35			62	M12X1	17	4	18	28
	50			56	M12X1	17	4	18	28

ASAX Mp339

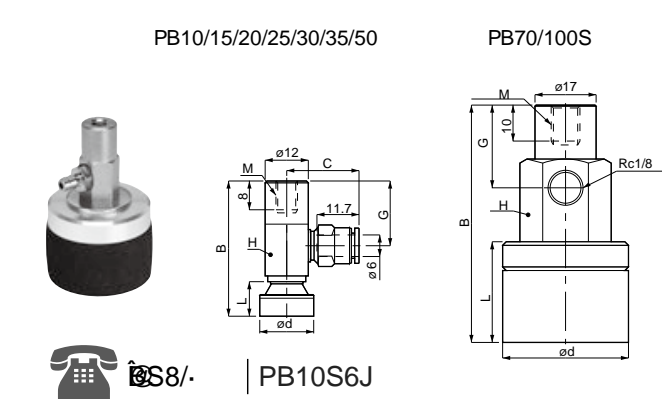


☎ @S8/ | PA10SN6B

PBK/D

-	#			D						
	d	1S	K/N	gP/B	M	H	G	C	L	
PB & Æ ; O L Z K / 0	10	S	6J	37	M6X1	12	18	20	9.5	
	15			37	M6X1	12	18	20	9.5	
	20			43	M6X1	12	18	20	15.5	
	25			43	M6X1	12	18	20	15.5	
	30			43	M6X1	12	18	20	15.5	
	35		6B	56	M6X1	12	18	20	28	
	50			56	M6X1	12	18	20	28	
	70			01	68	M8X1.25	22	23	-	30
	100				68	M8X1.25	22	23	-	30

ASAX Mp339

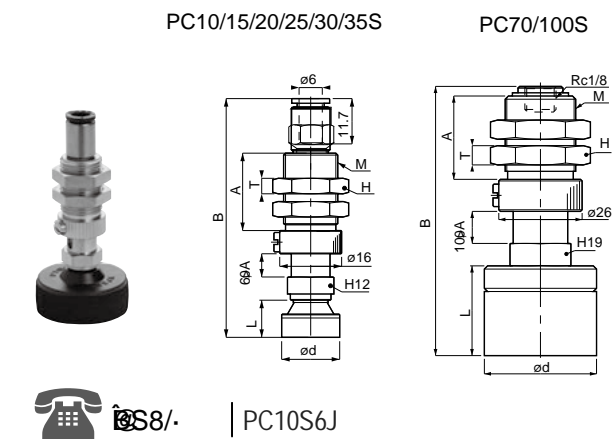


☎ @S8/ | PB10S6J

PBK/D

-	#			D						
	d	1S	K/N	gP/B	M	H	C	L	ø7	
PC e 1S ; M F K / 0	10	S	6J	61.5	M6X1	12	20	9.5	6	
	15			61.5	M6X1	12	20	9.5	6	
	20			67.5	M6X1	12	20	15.5	6	
	25			67.5	M6X1	12	20	15.5	6	
	30			67.5	M6X1	12	20	15.5	6	
	35		6B	80	M6X1	12	20	28	6	
	50			80	M6X1	12	20	28	6	
	70			01	86	M8X1.25	22	-	30	10
	100				86	M8X1.25	22	-	30	10

ASAX Mp339



☎ @S8/ | PC10S6J

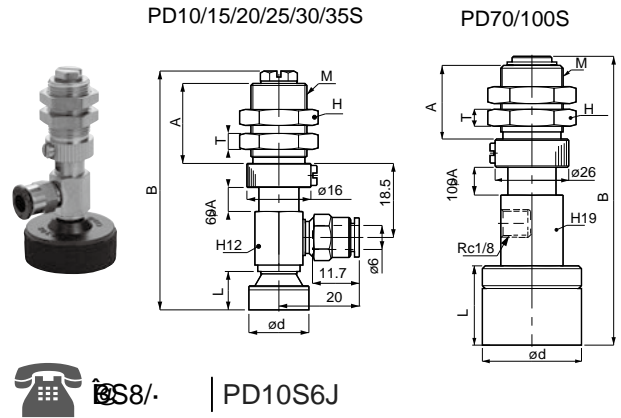
K/d, Vacuum Pad

K/d, - 4! PS 30

PD 4S 0/0

#	d	1S	K/I N	da					
				gP B	M	H	T	L	7
PD e 1S ; Ö L Z K /i 0	10	S	6J	59.5	M14X1	17	4	9.5	6
	15			59.5	M14X1	17	4	9.5	6
	20			65.5	M14X1	17	4	15.5	6
	25			65.5	M14X1	17	4	15.5	6
	30			65.5	M14X1	17	4	15.5	6
	35			78	M14X1	17	4	28	6
	50	6B	01	78	M14X1	17	4	28	6
	70			104	M22X1	27	6	30	10
	100			104	M22X1	27	6	30	10

4S/0/0
4S/0/0

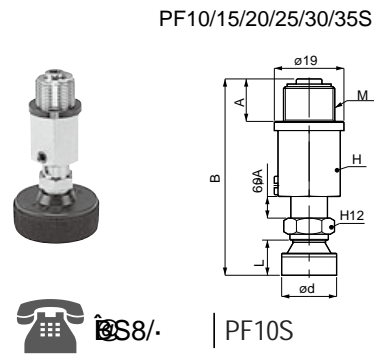


4S/0/0 | PD10S6J

PF 4S; 0

#	d	1S	gP B	M	H	da		
						A	L	9.
PF e 1S ; N u a	10	S	53.5	M14X1	17	11.5	9.5	6
	15		53.5	M14X1	17	11.5	9.5	6
	20	4!	59.5	M14X1	17	11.5	15.5	6
	25		59.5	M14X1	17	11.5	15.5	6
	30		59.5	M14X1	17	11.5	15.5	6
	35		72	M14X1	17	11.5	28	6
	50		72	M14X1	17	11.5	28	6

4S/0/0



4S/0/0 | PF10S