

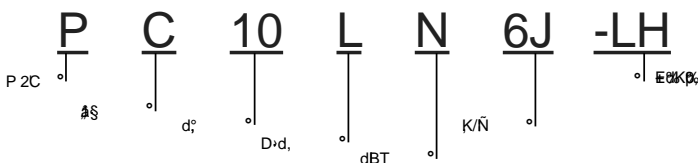


# Vacuum Pad

K/d, - D, PL 30

Ø55

U



K/N

K/N	E.TB	c:	
N	4J	Ø4 D01	
	6J	Ø6 D01	
07-N	4B	Ø4 D01	
	6B	Ø6 D01	

K/d

--	PA		PB		PC	PD	PF
	EK/D	Ø/D	SEK/D	SO/D	ES;P		
ž							

d

--	4	6	8	10	15	20	30	40
;	Ø4	Ø6	Ø8	Ø10	Ø15	Ø20	Ø30	Ø40

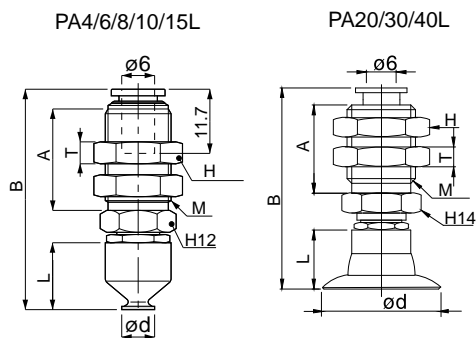
dBT

--	BT	ØPSF"	WØ	MŽZ	kg(³)	E.Td,	-)EK% UB0)2UCE
N	-66"	A50/S	-20~120	Syž	-	Ø4~Ø40	°
S	-9"	A40/S	-50~220	ž	-	Ø4~Ø40	
SE	(89"	A40/S	-30~180	Syž	10 <sup>5</sup> -10 <sup>8</sup> .cm	Ø4~Ø40	
FS	K-9"	A55/S	-30~180	ž	-	Ø4~Ø40	
NE	(86"	A65/S	0~120	Syž	10 <sup>5</sup> -10 <sup>8</sup> .cm	Ø4~Ø40	°
F	K6"	A70/S	-10~230	ž	-	-	
FE	(K6"	A70/S	0~200	Syž	10 <sup>5</sup> -10 <sup>8</sup> .cm	-	

Ud(BTS6)AB/KOX 6 MUBTFAANDXS 77 #QBSK-U6P  
 ° U#E5UZ -U#  
 B0)2:U# A5/SU(200)2:66U-D A60/SU(758

PA EK/D - EK/N

#	d	S	d BT	K/N	Ø					
					gP B	M	H	T	A	L
PA & E; Mc F K / I O	4	L	N	6J	39	M12X1	14	2	20	12.2
	6				39	M12X1	14	2	20	12.2
	8				39	M12X1	14	2	20	12.2
	10				41	M12X1	14	2	20	14
	15				41	M12X1	14	2	20	14
	20				45	M14X1	14	2	20	15
	30				45	M14X1	17	4	20	15
	40				45	M14X1	17	4	20	15



BT) /44# QBSK-U6P  
 BT:AAAXS  
 #K/N#  
 #BX M#3#  
 80#A#TU#4+



PA8LN6J  
 PA8LN6J-LH

# K/d, Vacuum Pad

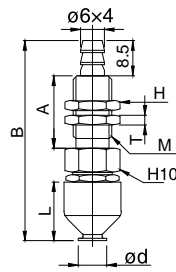
## K/d, - D> PL 30

### PA8LN6K/D07-N

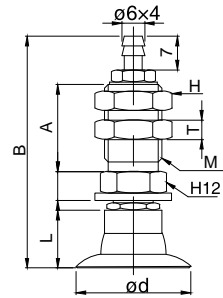
-	#				D>					
	d	1S	d, BT	K/d N	gP B	M	H	T	A	L
PA & AE ; Mc F K /i 0	4	L	N S SE FS NE F FE	6B	41.5	M8X0.75	10	2	15	12.2
	6				41.5	M8X0.75	10	2	15	12.2
	8				41.5	M8X0.75	10	2	15	12.2
	10				46	M8X0.75	10	2	15	14
	15				46	M8X0.75	10	2	15	14
	20				48	M12X1	14	2	18	15
	30				48	M12X1	14	2	18	15
40	48	M12X1	17	2	18	15				

dBT) /44& f0BSK-U6P  
 BT: PAASX  
 K/K  
 ASAX M033#  
 8C0A0T0U0#

PA4/6/8/10/15L



PA20/30/40L



08/

PA8LN6B  
PA8LN6B-LH

00000000

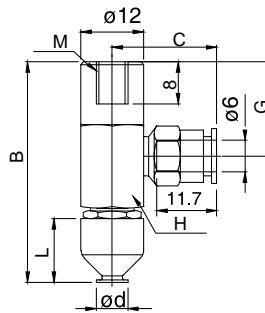
LH:4,

### PB10LN6/D

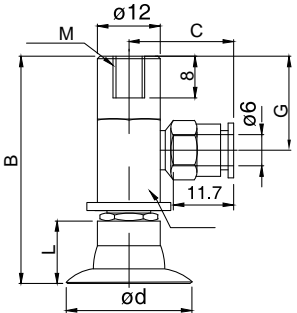
-	#				D>					
	d	1S	d, BT	K/d N	gP B	M	H	C	G	L
PB & AE ; O LZ K /i 0	4	L	N S SE FS NE F FE	6J	42.5	M6X1	10	20	18	12.2
	6				42.5	M6X1	10	20	18	12.2
	8				42.5	M6X1	10	20	18	12.2
	10				44.5	M6X1	10	20	18	14
	15				44.5	M6X1	10	20	18	14
	20				45.5	M6X1	14	20	18	15
	30				45.5	M6X1	14	20	18	15
40	45.5	M6X1	17	20	18	15				

dBT) /44& f0BSK-U6P  
 BT: PAASX  
 K/K  
 ASAX M033#  
 8C0A0T0U0#

PB4/6/8/10/15L



PB20/30/40L



08/

PB10LN6J  
PB10LN6J-LH

00000000

LH:4,

### PC10LN6K/D

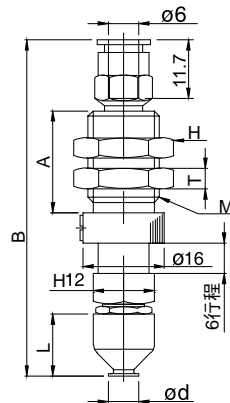
-	#				D>						
	d	1S	d, BT	K/d N	gP B	M	H	T	A	L	* /7
PC e 1S ; Mc F K /i 0	4	L	N S SE FS NE F FE	6J	66.5	M14X1	17	4	20	12.2	6
	6				66.5	M14X1	17	4	20	12.2	6
	8				66.5	M14X1	17	4	20	12.2	6
	10				68.5	M14X1	17	4	20	14	6
	15				68.5	M14X1	17	4	20	14	6
	20				69.5	M14X1	17	4	20	15	6
	30				69.5	M14X1	17	4	20	15	6
40	69.5	M14X1	17	4	20	15	6				

dBT) N S SE FS\* f0BSK-U6P  
 BT: PAASX  
 K/K  
 ASAX M033#  
 8C0A0T0U0#

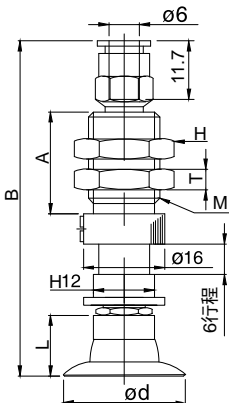
6B: 6J

PC10L(J)6J

PC4/6/8/10/15L



PC20/30/40L



08/

PC10LN6J  
PC10LN6J-LH

00000000

LH:4,

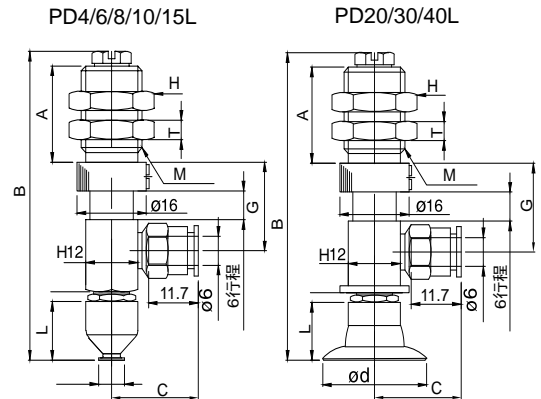
# Vacuum Pad

K/d, - D, PL 30

## PD4S/D

		#			cs								
-	d	1S	d, BT	K/ N	g <sup>P</sup> <sub>B</sub>	M	H	T	A	L	S	7	
PD e 1S : Ö L Z K / 0	4	L D · d ,	N S SE FS NE F FE	6J 6B	64.5	M14X1	17	4	20	12.2	20	18.5	6
	6				64.5	M14X1	17	4	20	12.2	20	18.5	6
	8				64.5	M14X1	17	4	20	12.2	20	18.5	6
	10				66.5	M14X1	17	4	20	14	20	18.5	6
	15				66.5	M14X1	17	4	20	14	20	18.5	6
	20				67.5	M14X1	17	4	20	15	20	18.5	6
	30				67.5	M14X1	17	4	20	15	20	18.5	6
	40				67.5	M14X1	17	4	20	15	20	18.5	6

dBT) /448  
BT: PAXS  
S/ +  
SAX M33  
8CARTU14%

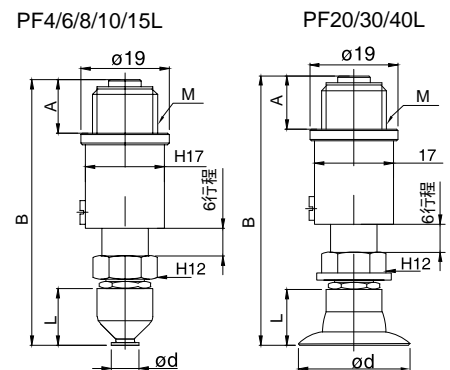


8/-  
PD4LN6J  
PD4LN6J-LH  
LH:4

## PF4S/D

		#			cs						
-	d	1S	d, BT	K/ N	g <sup>P</sup> <sub>B</sub>	M	H	A	L	7	
PF e 1S : N μ ā ·	4	L D · d ,	N S SE FS NE F FE	6J 6B	64.5	M14X1	17	11.5	12.2	6	
	6				64.5	M14X1	17	20	12.2	6	
	8				64.5	M14X1	17	20	12.2	6	
	10				66.5	M14X1	17	20	14	6	
	15				66.5	M14X1	17	20	14	6	
	20				67.5	M14X1	17	20	15	6	
	30				67.5	M14X1	17	20	15	6	
	40				67.5	M14X1	17	20	15	6	

dBT) /448  
BT: PAXS  
S/ +  
SAX M33  
8CARTU14%



8/-  
PF10LN  
PF10LN-LH  
LH:4