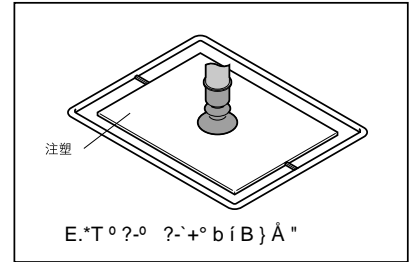
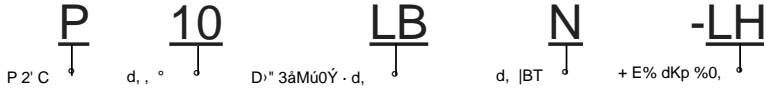


,K/i d, Vacuum Pad

,K/i d, - D>" 3ãMú0Ý · PLB

d, E5 ·

·U·



d, , ° ·yU·NN

--	6	8	10	15	20
, °	Ø6	Ø8	Ø10	Ø15	Ø20

1=ñ á :		ÐBS K
D > 10pcs	10pcs/ =-	f*qJ, Ó iU·¿, qBßU·
D # 10pcs	1pcs/ =-	BS K, 7X f V ^

@ÍBS8/ · P6LBN
P6LBN-LH
ØL, + E% dKp %0, U·A# È í LH :4,

d, |BT

"U·D="f d, , °U· mmUCE A ñ NDú7 *a \$ ÔA

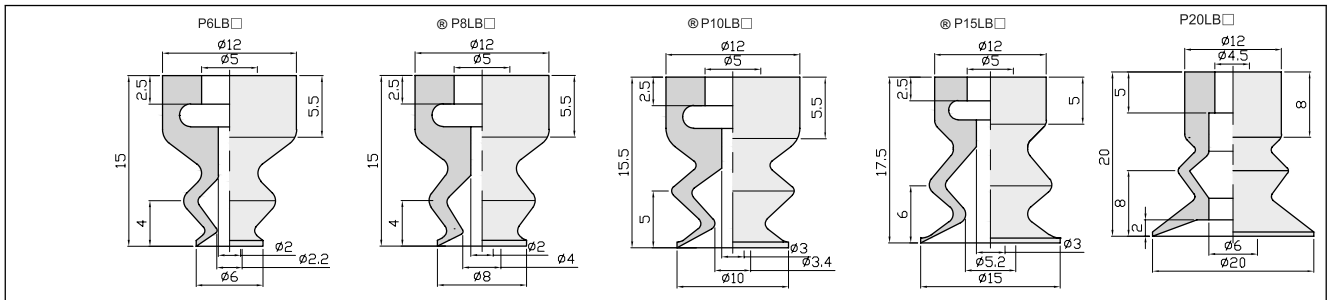
--	BT	- Ò 4 I P S F "	«*T#U Ò8/	MÈ7ž	·/ *aKg(³	E.*T d, , °	-) + E% dKp %0, U· · B 0)2UCE
N	-6t *6"	A50/S	-20~120	Sý7ž	-	Ø6~Ø20	°
S	-q *6"	A40/S	-50~220	+©7ž	-	Ø6~Ø20	
SE	(*a-q6"	A40/S	-30~180	Sý7ž3í%ã	10 ^í -10 ^í ·cm	Ø6~Ø20	
FS	!K-q *6"	A55/S	-30~180	3Íž	-	Ø6~Ø20	
NE	(*a-6t6"	A65/S	0~120	Sý7ž: %ã	10 ^í -10 ^í ·cm	Ø6~Ø20	°
F	!K *6"	A70/S	-10~230	%œ7ž	-	-	
FE	(*a!K *6"	A70/S	0~200	Sý7ž+©%ã	10 ^í -10 ^í ·cm	-	

"U·d, |BT S6)A# í5/ yKp0X 6 M;Už ø |BT ò- Ò s Æ tU·A ñ NDú ÓA X \$Už=" Y : 7ž f · ="f*qJ, Ó iU·BS K- U· S #! P

° U·="f E5Už - U·="f

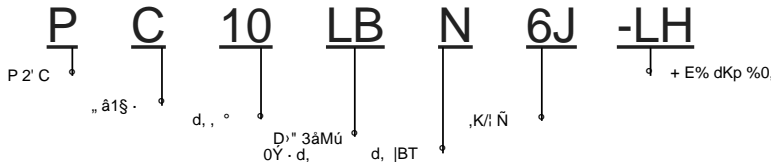
· B 0)2 :U· | Á- Ò F ü s A5/SUž@Ü # f="LžSð%ãU·@U· · B 0)2 :+° -6t *6"U·- Ò f A60/SU·@Ü # fSý7žSð%ã

B Ž f \$ * "U· % f*qJ, >ð hU· ¿, qBß



d, 3ð "E5 ·

·U·



,K/i Ñ

,K/i Ñ	E.*T >ð h	c ·
4J	Ø4 D·óí	
6J	Ø6 D·óí	
07 · Ñ ·	Ø4 D·óí	
	Ø6 D·óí	

,K/i d, „ã1š ·

--	PA	PB	PC	PD	PF
	& Æ ; MçF, /K/i 0	& Æ ; ÓLž, /K/i 0	e1S ; MçF, /K/i 0	e1S ; ÓLž, /K/i 0	e1S ; , Ñ μ=ñ ·
Ž'ã					

Vacuum Pad

K/d, - D8M0Y PLB 30

d°	6	8	10	15	20
;	Ø6	Ø8	Ø10	Ø15	Ø20

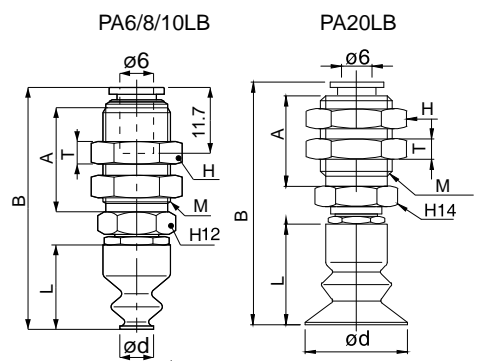
BT	PSF"	Ø	MĚZ	kg(°)	E.Td,	U(Ø)2UCE
N	-66"	A50/S	-20~120	Syž	-	Ø6~Ø20
S	-9"	A40/S	-50~220	Ěž	-	Ø6~Ø20
SE	(86)"	A40/S	-30~180	Syž	10 ⁵ -10 ⁸ .cm	Ø6~Ø20
FS	K-9"	A55/S	-30~180	3Ěž	-	Ø6~Ø20
NE	(86)"	A65/S	0~120	Syž	10 ⁵ -10 ⁸ .cm	Ø6~Ø20
F	K6"	A70/S	-10~230	Ěž	-	-
FE	(K6)"	A70/S	0~200	Syž	10 ⁵ -10 ⁸ .cm	-

U(BTS6)A8/KPX 6 MUBT6FA ND0X6 77 #q0BSK-U6P
 ° U#E5Už -U#
 B0)2:U#C6 A5/SU#200B0)2:66U+D A60/SU#756

PAK/DEKŇ

PA	#		Ø							
	d	1S	d, BT	K/N	gP B	M	H	T	A	L
PA & Æ ; M F K /i 0	6	LB	N S SE FS NE F FE	6J	43	M12X1	14	4	20	15
	8	D			43	M12X1	14	4	20	15
	10	3a			44	M12X1	14	4	20	15.5
	15	MÚ			46	M12X1	14	4	20	17.5
	20	OÝ			50	M14X1	17	4	20	20

BT) /44& #q0BSK-U6P
 BT:FAA0XS
 #K/N0
 80)A)T)U)E)4#

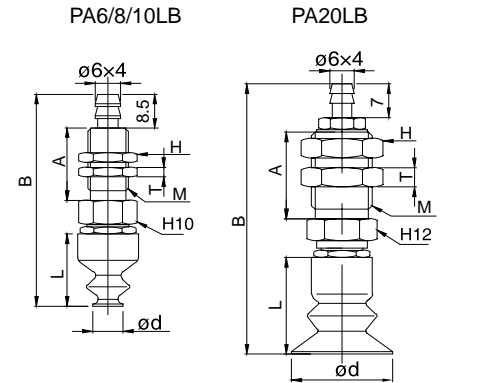


PA10LBN6J
 PA10LBN6J-LH
 LH:4

PAK/D07.Ñ

PA	#		Ø							
	d	1S	d, BT	K/N	gP B	M	H	T	A	L
PA & Æ ; M F K /i 0	6	LB	N S SE FS NE F FE	6B	52	M8X0.75	10	2	15	15
	8	D			52	M8X0.75	10	2	15	15
	10	3a			52.5	M8X0.75	10	2	15	15.5
	15	MÚ			54.5	M8X0.75	10	2	15	17.5
	20	OÝ			48.5	M12X1	14	4	18	20

dBT) /44& #q0BSK-U6P
 BT:FAA0XS
 #K/N0
 80)A)T)U)E)4#



PA10LBN6B
 PA10LBN6B-LH
 LH:4

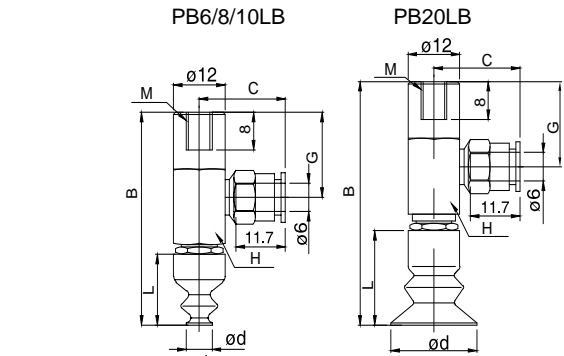
,K/i d, Vacuum Pad

K - D8MÓY PLB 30

PB6/10

-	#					ce				
	d	1S	d, BT	K/1 N	gP B	M	H	C	G	L
PB & E : O L Z K /i o	6	LB	N S SE FS NE FE	6J 6B	45	M6X1	12	20	18	15
	8	D ₁			45	M6X1	12	20	18	15
	10	3á Mú OY			45.5	M6X1	12	20	18	15.5
	15	d			47.5	M6X1	12	20	18	17.5
	20	d			50	M6X1	12	20	18	20

dBT) /44# 0BSK-U6#
BT: AAAXS
#88/88+
#88X M#3#
80#A#T#U#4#

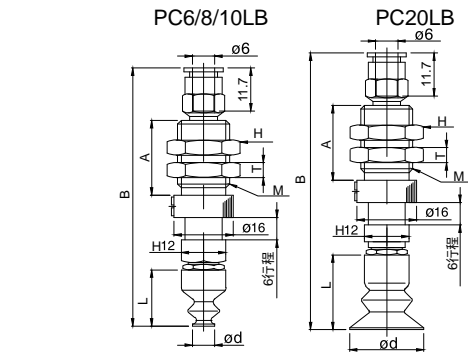


#88/88/ | PB10LBN6J
PB10LBN6J-LH
LH:4,

PC6/10

-	#					ce					
	d	1S	d, BT	K/1 N	gP B	M	H	T	A	L	*7
PC e 1S : Mc F K /i o	6	LB	N S SE FS NE FE	6J 6B	69	M14X1	17	4	20	15	6
	8	D ₁			69	M14X1	10	2	15	15	6
	10	3á Mú OY			69.5	M14X1	10	2	15	15.5	6
	15	d			71.5	M14X1	10	2	15	17.5	6
	20	d			74	M14X1	14	4	18	20	6

dBT) /44# 0BSK-U6#
BT: AAAXS
#88/88+
#88X M#3#
80#A#T#U#4#

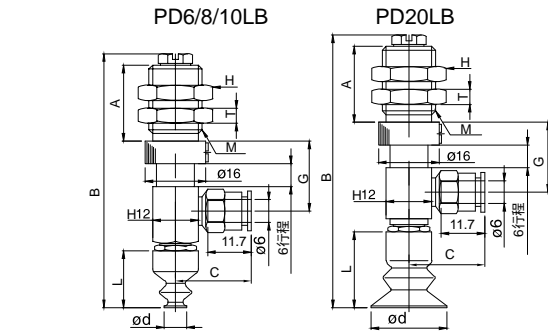


#88/88/ | PC10LBN6J
PC10LBN6J-LH
LH:4,

PD6/10

-	#					ce					
	d	1S	d, BT	K/1 N	gP B	M	H	T	A	L	*7
PD e 1S : O L Z K /i o	6	LB	N S SE FS NE FE	6J 6B	67	M14X1	17	4	20	15	6
	8	D ₁			67	M14X1	10	2	15	15	6
	10	3á Mú OY			67.5	M14X1	10	2	15	15.5	6
	15	d			69.5	M14X1	10	2	15	17.5	6
	20	d			72	M14X1	14	4	18	20	6

dBT) /44# 0BSK-U6#
BT: AAAXS
#88/88+
#88X M#3#
80#A#T#U#4#

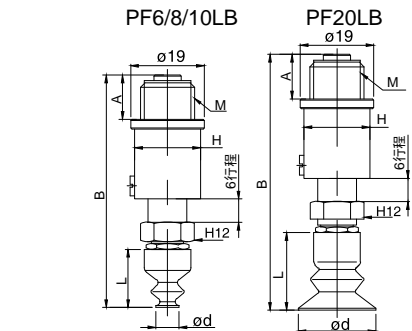


#88/88/ | PD10LBN6J
PD10LBN6J-LH
LH:4,

PF6/10

-	#					ce				
	d	1S	d, BT	gP B	M	H	T	A	L	*7
PF e 1S : N μ ã	6	LB	N S SE FS NE FE	67	M14X1	17	4	11.5	15	6
	8	D ₁		67	M14X1	17	4	11.5	15	6
	10	3á Mú OY		67.5	M14X1	17	4	11.5	15.5	6
	15	d		69.5	M14X1	17	4	11.5	17.5	6
	20	d		72	M14X1	17	4	11.5	20	6

dBT) /44# 0BSK-U6#
BT: AAAXS
#88/88+
#88X M#3#
80#A#T#U#4#



#88/88/ | PF10LBN
PF10LBN-LH
LH:4,

D₁
3á Mú OY