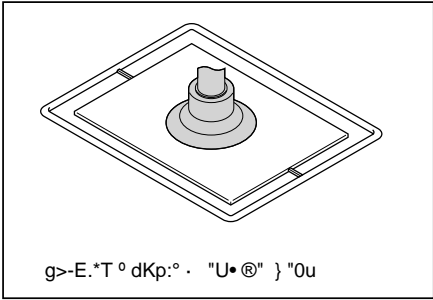


# K/d, Vacuum Pad

## K/d, - MA -U:° -UCE

d, E5 -

U • **M-P** **10A** **A** **N** **-LH**  
 M' C d, ° d, ° d, ° d, |BT + E% dKp %0,



d, , ° •yU•NN

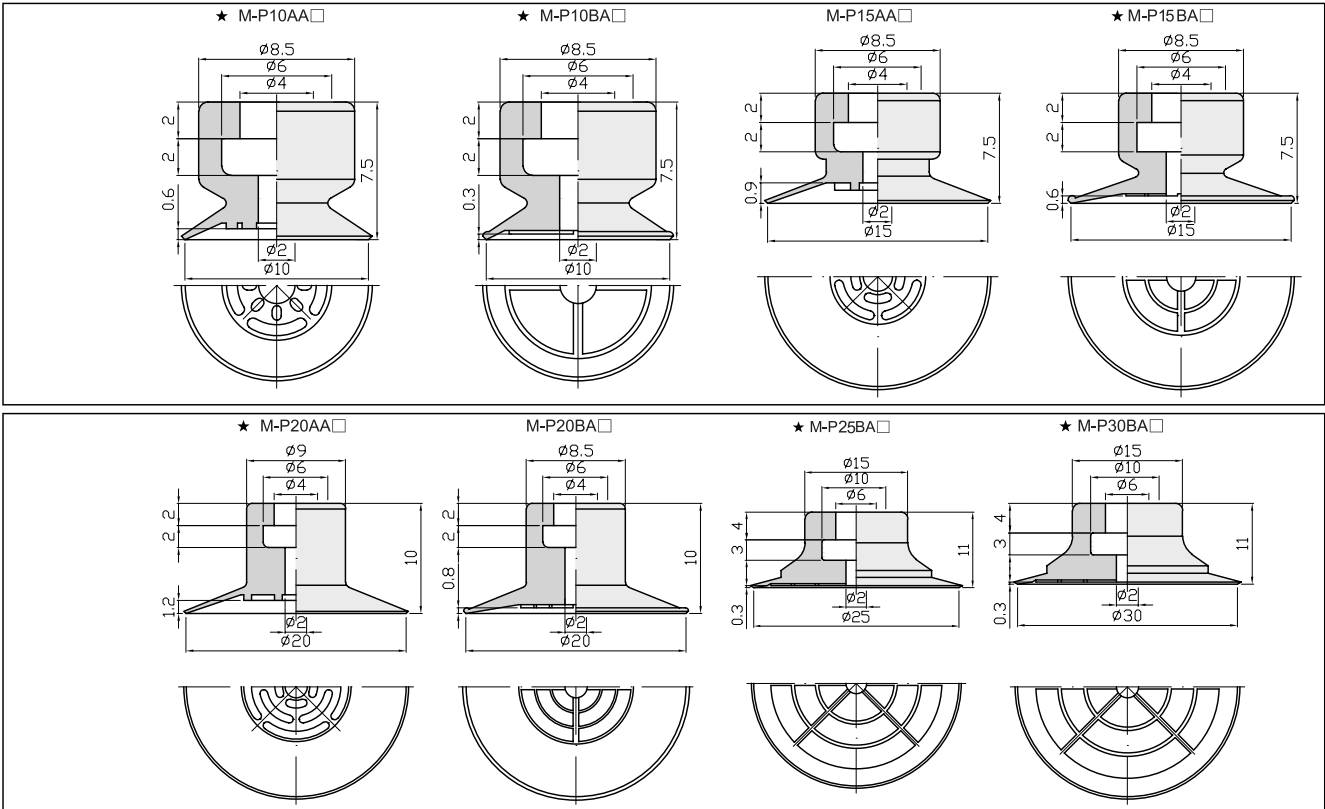
úÄë	10A	15A	20A	10B	15B	20B	25B	30B
Äi¼¶	Ø10	Ø15	Ø20	Ø10	Ø15	Ø20	Ø25	Ø30

d, |BT

--	BT	- Ò 4 I P S F "	«*T#U Ò8/	MË7ž	•/ *aKg <sup>3</sup>	E.*T d, , °	- ) + E% dKp %0, U• • B 0)2UCE
N	-6t •6"	A55/S	-20~120	Sý7ž	-	Ø10-Ø30	°
S	-q •6"	A55/S	-50~220	+©7ž	-	Ø10-Ø30	
SE	(*a-q6"	A55/S	-30~180	Sý7ž3i%á	10 <sup>f</sup> -10 <sup>g</sup> .cm	Ø10-Ø30	
FS	!K-q •6"	A55/S	-30~180	3i7ž	-	Ø10-Ø30	
NE	(*a -6t6"	A65/S	0~120	Sý7ž: %á	10 <sup>f</sup> -10 <sup>g</sup> .cm	Ø10-Ø30	°
F	!K •6"	A70/S	-10~230	%œ7ž	-	Ø10-Ø30	
FE	(*a!K •6"	A70/S	0~200	Sý7ž+©%á	10 <sup>f</sup> -10 <sup>g</sup> .cm	Ø10-Ø30	°

" U• d, |BT S6)A# i5/ yKp0X 6 M;Už ç~ |BT ò- Ò s Æ †U•A ñ NDú ÔA X \$Už=" Y : 7ž f • =" .f\*QJ, Ó iU•BS K- U• S #! P  
 ° U•="f E5Už - U•="f  
 • B 0)2 :U• | Ä- Ò f ü s A5/SUž@Ü #f="LŽSð%áU•@U• • B 0)2 :+° -6t •6"U•- Ò f A60/SU•@Ü # fSy7žSð%á

B Ž f \$ \* " U• % f\*QJ, >ð hU• ç „ qBß



1=ñ á ;	DBS K
D > 10pcs	10pcs/ = f*QJ, Ó iU•ç „ qBßU• BS K,7X f Uá V -
D # 10pcs	1pcs/ =

@İBS8/ • | M-P10AAN M-P10AAN-LH

" U• D="f d, , °Uç mmUCE A ñ NDú7 \*a X \$ ÔA ©L, + E% dKp %0, U•A# È | LH :4,





# Vacuum Pad

K/d, - MA · U<sub>3</sub>°UCE - 30̄ ∅SUKDUCĚ

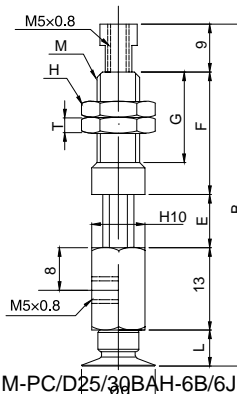
PC ∅SMĚK/D  
PD ∅SČK/D

WNN

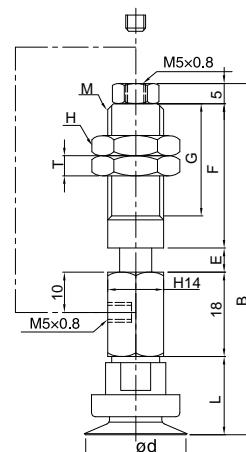
		#				be									
		d	7 E	15	K <sup>^</sup> D	d <sub>BT</sub>	K/N	gP B	M	H	T	G	F	L	
M-PC	M-PD	10A	3					55.5	M8X0.75	12	3	17	23	7.5	
			10					62.5	M8X0.75	12	3	17	23		
			15					75	M8X0.75	12	3	24.5	30.5		
		10B	3						55.5	M8X0.75	12	3	17	23	7.5
			10						62.5	M8X0.75	12	3	17	23	
			15						75	M8X0.75	12	3	24.5	30.5	
		15A	3						55.5	M8X0.75	12	3	17	23	7.5
			10						62.5	M8X0.75	12	3	17	23	
			15						75	M8X0.75	12	3	24.5	30.5	
		15B	3						55.5	M8X0.75	12	3	17	23	7.5
			10						62.5	M8X0.75	12	3	17	23	
			15						75	M8X0.75	12	3	24.5	30.5	
	20A	3						58	M8X0.75	12	3	17	23	10	
		10						65	M8X0.75	12	3	17	23		
		15						77.5	M8X0.75	12	3	24.5	30.5		
	20B	3						57	M8X0.75	12	3	17	23	9	
		10						64	M8X0.75	12	3	17	23		
		15						76.5	M8X0.75	12	3	24.5	30.5		
	25B	6						81	M14X1	19	5	28	36	16	
		15						90	M14X1	19	5	28	36		
		30						127	M14X1	19	5	50	58		
	30B	6						81	M14X1	19	5	28	36	16	
		15						90	M14X1	19	5	28	36		
		30						127	M14X1	19	5	50	58		

∅	
D	
∅	)

M-PC/D10A/15A/20A/  
10B/15B/20BAH-6B/6J



M-PC/D30BAH-6B/6J



BT) /44  
BT:BAAXS  
#88/100+  
888X M803#  
809A#TU#1#

☎ 88/-  
88800A#

M-PC30B-6AHN6J  
M-PC30B-6AHN6J-LH  
LH:4,