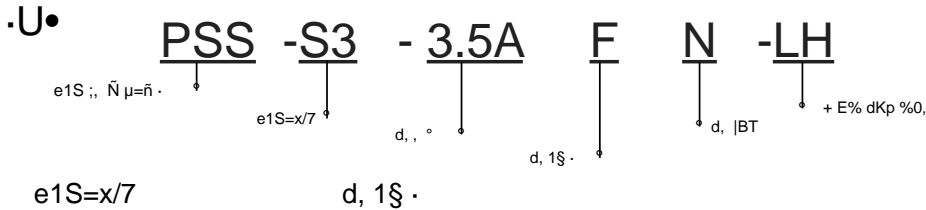


K/d, Vacuum Pad

K/d, - PSS N`4? p ;Fy ŠFy "



±4š e1S4? pU, N μ=ñU
7@30 μ=ñP Ö

S3	NN	--	F	J	A	C
S5	NN	1š ·	• n ·	ø n ·	: ° ·	5 n ·

d, °

--	1.5AF	2AF	3.5AF	5AF	6AF	10AF	15AF	4J	6J
, °	Ø1.5	Ø2	Ø3.5	Ø5	Ø6	Ø10	Ø15	Ø5	Ø6
--	8J	5C	7C	10AA	10BA	15AA	15BA	20AA	20BA
, °	Ø8	Ø5	Ø7	Ø10	Ø10	Ø15	Ø15	Ø20	Ø20

d, |BT

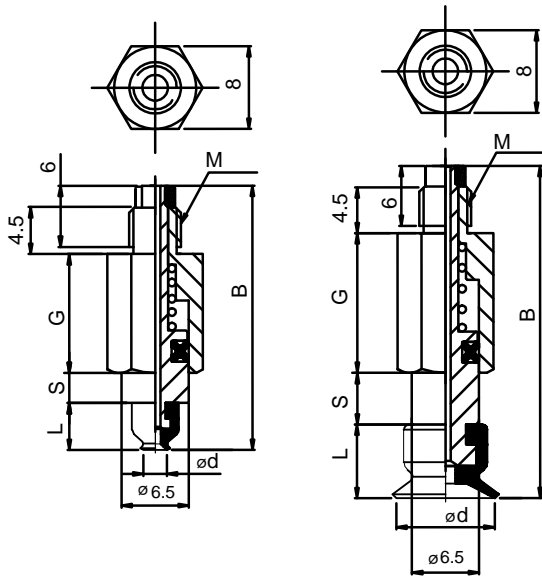
--	BT	- Ö 4 P S F "	«*T#U Ø8/	MÈ7ž	•/ *aKg ³	E.*T d, °	-) + E% dKp %0, U • B 0)2UCE
N	-6t •6"	A55/S	-20~120	Sý7ž	-	Ø1.5-Ø50	°
S	-q •6"	A55/S	-50~220	+©7ž	-	Ø1.5-Ø50	
SE	(*a-q6"	A55/S	-30~180	Sý7ž3í%â	10 ⁶ -10 ⁸ ·cm	Ø1.5-Ø50	
FS	!K-q •6"	A55/S	-30~180	3Îž	-	Ø1.5-Ø50	
NE	(*a-6t6"	A65/S	0~120	Sý7ž: %â	10 ⁶ -10 ⁸ ·cm	Ø1.5-Ø50	°
F	!K •6"	A70/S	-10~230	%œ7ž	-	Ø1.5-Ø50	
FE	(*a!K •6"	A70/S	0~200	Sý7ž+©%â	10 ⁶ -10 ⁸ ·cm	Ø1.5-Ø50	°

" U• d, |BT S6)A# í5/ yKp0X 6 MjUž e- |BT ö- Ö s Æ T U•A ñ NDú ÖA X ŠUž=" Y : 7ž f • =".f* qj, Ó iU•BS K- U• S #! P
° U•="f E5Už - U•="f
• B 0)2 :U• |Ä- Ö F ü s A5/SUž@Ü # f="LŽSđ%âU•@U• • B 0)2 :+° -6t •6"U•- Ö f A60/SU•@Ü # fSý7žSđ%â

• n • d, U< FUCE e1S ;, N μ=ñ ·

• yU• N N

-	-#			i os					
	=x/7 s	, ° d	1š ·	d, BT	gP B	M	G	L	
PSS	S3	1.5A	F	N S SE FS NE F FE	25	M5X0.8	11.5	4	
					29	M5X0.8	13.5		
	S5	2A			25	M5X0.8	11.5	4	
					29	M5X0.8	13.5		
	S3	3.5A			d	25	M5X0.8	11.5	4
						29	M5X0.8	13.5	
	S5	5A			•	27.5	M5X0.8	11.5	6.5
						31.5	M5X0.8	13.5	
	S3	6A			, °	27.5	M5X0.8	11.5	6.5
						31.5	M5X0.8	13.5	
	S5	8A			,	28.5	M5X0.8	11.5	7
						32.5	M5X0.8	13.5	
	S3	10A			,	28.5	M5X0.8	11.5	7.5
						32.5	M5X0.8	13.5	
	S5	15A			,	29	M5X0.8	11.5	8
						33	M5X0.8	13.5	



d, |BT) / 4 4 & *4f* qj, Ó iU•BS K- U• S #! P
e- |BT :- Ö (Æ T U•A ñ A# ÖA X Š

@İBS8/ | PSS-S3-3.5AFN
PSS-S3-3.5AFN-LH

@L, + E% dKp %0, U•A# È İ LH :4,

PSS
N`4?
p ;
Fy Š
Fy "

Vacuum Pad

K/d, - PSS 4JN

ЖК UGS;ñ

YNN

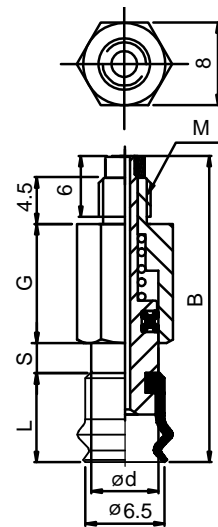
#					ba			
—	7/s	d	1§	d, BT	gP B	M	G	L
PSS	S3	4	J	N	26.5	M5X0.8	11.5	5.5
	S5				31.5	M5X0.8	13.5	
S;	S3	6	a	SE	30	M5X0.8	11.5	9
					FS	34	M5X0.8	
ñ	S3	8	d	NE	30	M5X0.8	11.5	9
					FE	34	M5X0.8	

dBT) /44ñ fQBSK-U6P
BT: PAAXS



PSS-S3-4JN
PSS-S3-4JN-LH

LH:4,



ЖК UGS;ñ

YNN

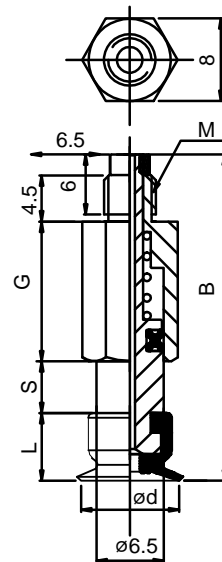
#					ba			
—	7/s	d	1§	d, BT	gP B	M	G	L
PSS	S3	10A	A	N	28.5	M5X0.8	11.5	7.5
	S5				32.5	M5X0.8	13.5	
S;	S3	15A	:	SE	28.5	M5X0.8	11.5	7.5
					FS	32.5	M5X0.8	
ñ	S5	20A	d	NE	31	M5X0.8	11.5	10
					FE	35	M5X0.8	
S;	S3	10B	,	F	28.5	M5X0.8	11.5	7.5
					FS	32.5	M5X0.8	
ñ	S5	15B		FE	28.5	M5X0.8	11.5	7.5
					FE	32.5	M5X0.8	
S;	S3	20B			31	M5X0.8	11.5	10
					FS	35	M5X0.8	

dBT) /44ñ fQBSK-U6P
BT: PAAXS



PSS-S3-10AAN
PSS-S3-10AAN-LH

LH:4,



ЖК UGS;ñ

YNN

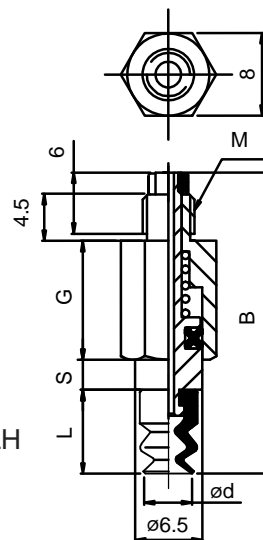
#					ba			
—	7/s	d	1§	d, BT	gP B	M	G	L
PSS	S3	5	C	N	30.5	M5X0.8	11.5	9.5
	S5				34.5	M5X0.8	13.5	
S;	S3	7	5n	SE	31	M5X0.8	11.5	10
					FS	35	M5X0.8	

dBT) /44ñ fQBSK-U6P
BT: PAAXS



PSS-S3-5CN
PSS-S3-5CN-LH

LH:4,



PSS

Ñ
4?
P
; Fy
S
Fy
"