

# 真空垫 Vacuum Pad

真空垫 - M2' C3ø 43y °=

ø f y " @ ÌBS · #

MF · d, U: · nUÇ	1.5A	2A	3.5A	5A	6A	8A	10A	15A	15	20B	20	25	30	35	40	50	80
TN-PS-2A-M3																	
TN-PS-2A-M3F																	
TN-PS-10-M5																	
TN-PS-10-M5F																	
TN-PF-15-M5																	
TN-PF-25-M6																	
TN-PF-20-M5																	
TN-PF-50-M6(M8)																	

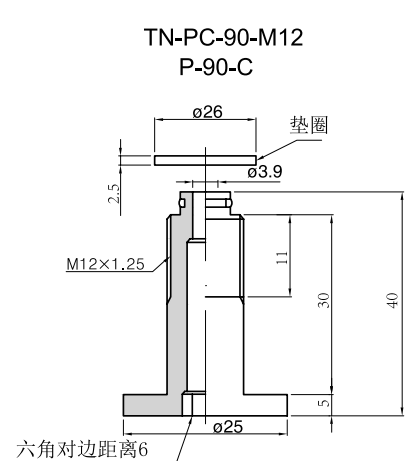
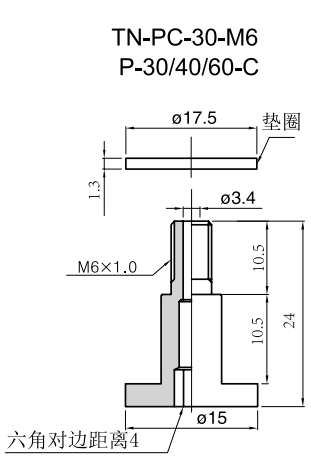
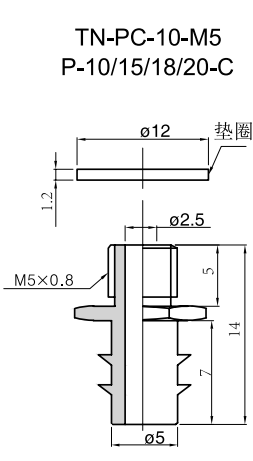
MJ · d, U: ø nUÇ	4	6	8	10	15	20	25	30	35	40	50	60	70	80
TN-PS-2A-M3														
TN-PS-2A-M3F														
TN-PS-10-M5														
TN-PS-10-M5F														
TN-PF-15-M5														
TN-PF-25-M6														
TN-PF-20-M5														
TN-PF-50-M6(M8)														

MC · d, U: F nUÇ	5	7	10	15	18	20	30	40	60	90
TN-PS-10-M5										
TN-PC-10-M5										
TN-PC-30-M6(M8)										
TN-PC-90-M12										

MA · d, U: ° nUÇ	10A	10B	15A	15B	20A	20B	25	30	30B	40	50
TN-PS-10-M5											
TN-PS-10-M5F											

" U• =".f•>ð h d, % ÀE.\*T<ælpUž =".f•>ð h d, % ÀE.\*T<ælp

<æp f \$

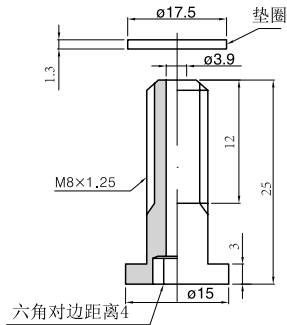


M  
2'  
C  
3ø  
4  
3y  
°  
||,

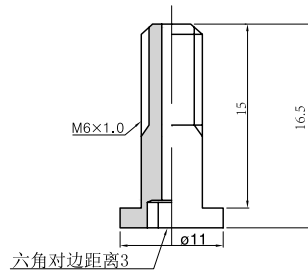
# Vacuum Pad

K/d, - M 2C3ø3号

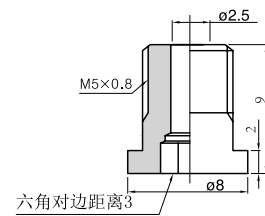
TN-PC-10-M8  
P-30/40/60-C



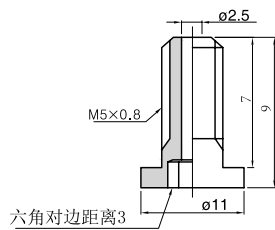
TN-PF-25-M6  
P-20B/25/30/35/40-F  
P-30/35/40-J



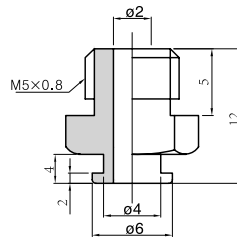
TN-PF-15-M5  
P15F,P-10/15-J



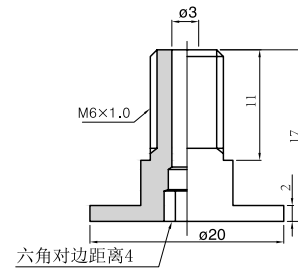
TN-PF-20-M5  
P20F,P-20/25-J



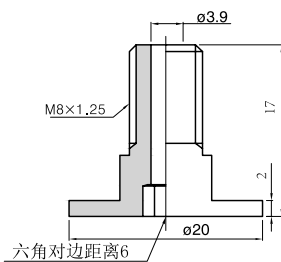
TN-PS-10-M5  
P-10A/15A/20A/10B/15B/20B-A  
P-5/7-C  
P-5A/6A/8A/10A/15A-F  
P-6/8-J



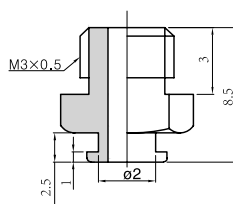
TN-PF-50-M6  
P-50-F,P-50-J



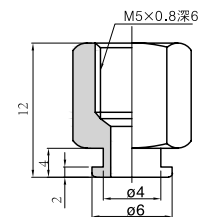
TN-PF-50-M8  
P-50-F,P-50-J



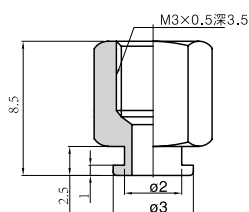
TN-PS-2A-M3  
P-1.5A/2A/3.5A-F  
P4J



TN-PS-10-M5F  
P-10A/15A/20A/10B/15B/20B-A  
P-5/7-C  
P-5A/6A/8A/10A/15A-F  
P-6/8J

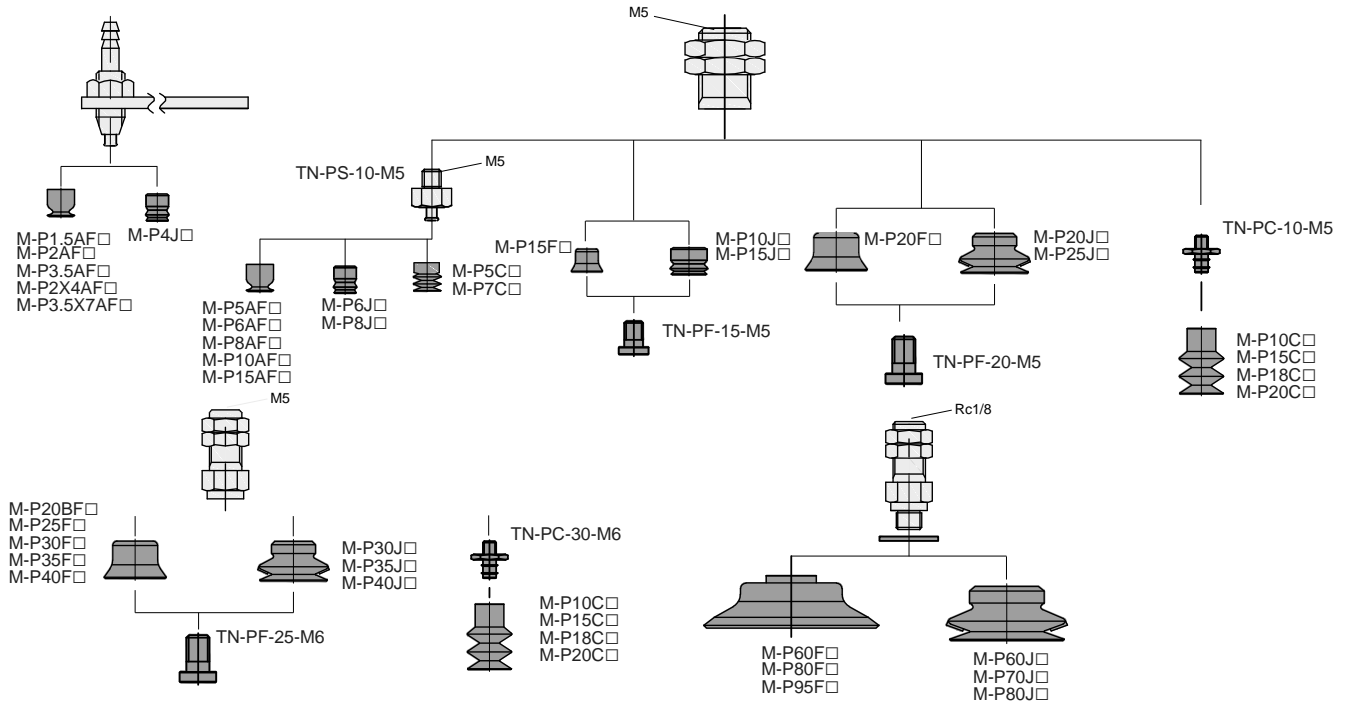


TN-PS-2A-M3F  
P-1.5A/2A/2.5A-F  
P4J

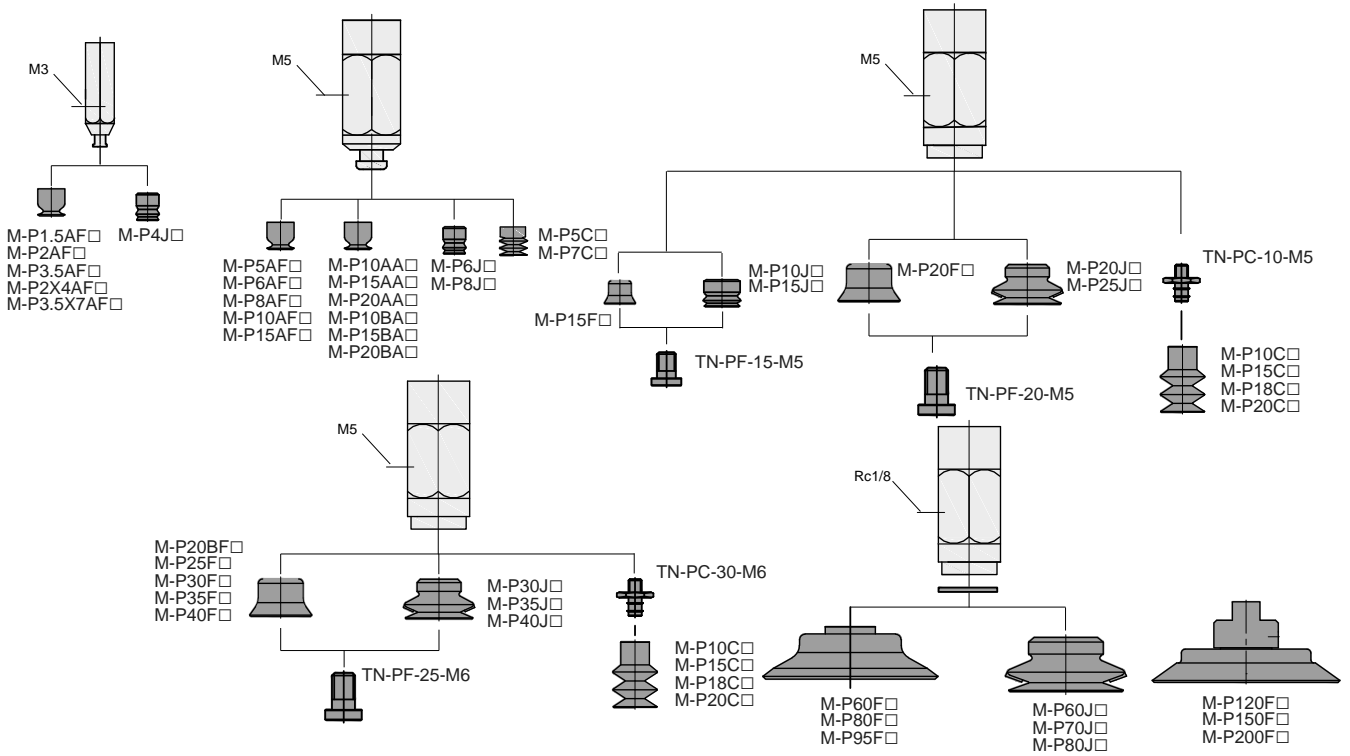


M  
2'  
C  
3ø  
4  
3ÿ  
||

**M 2C3Ø3**



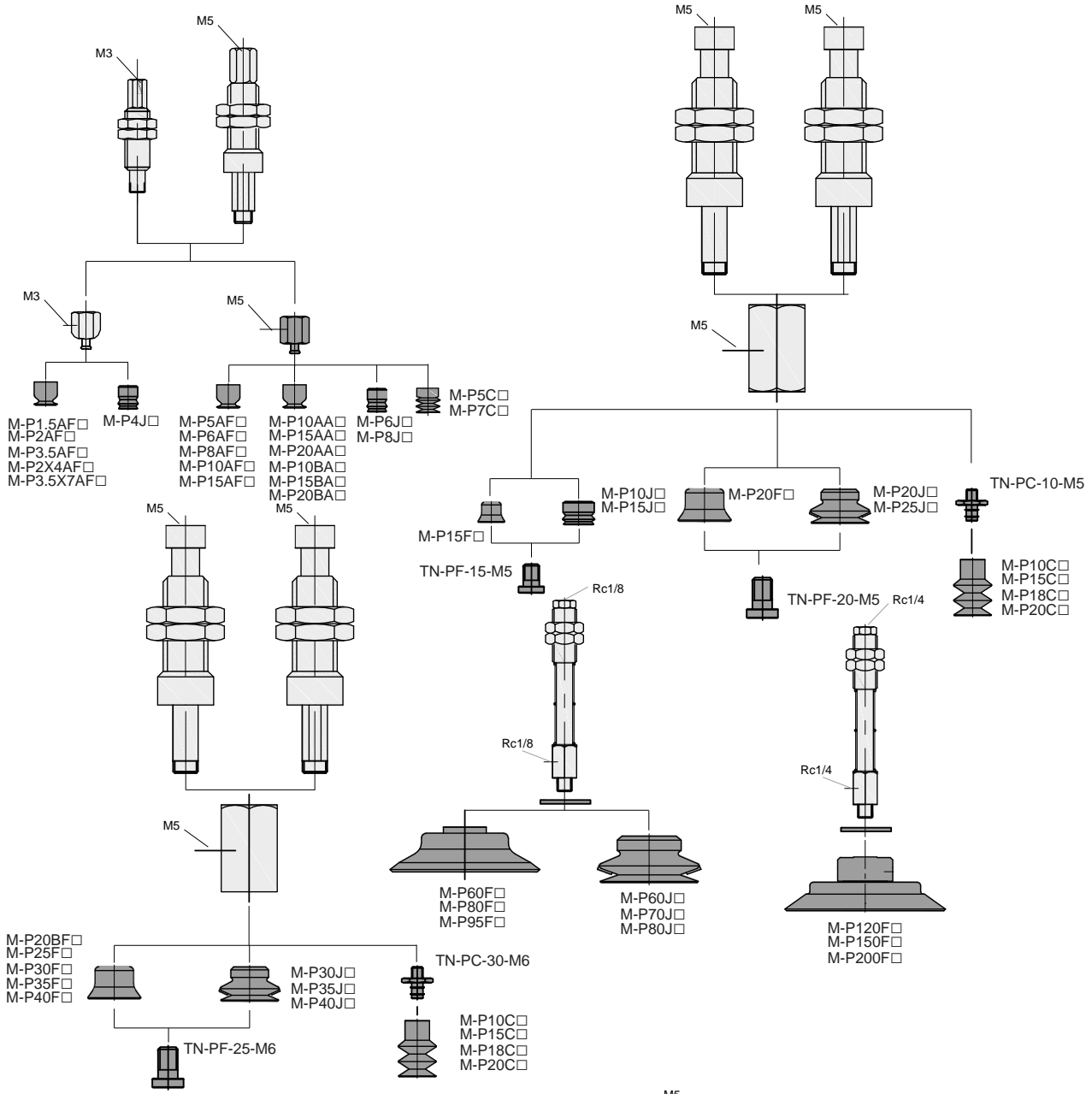
**M-PB**



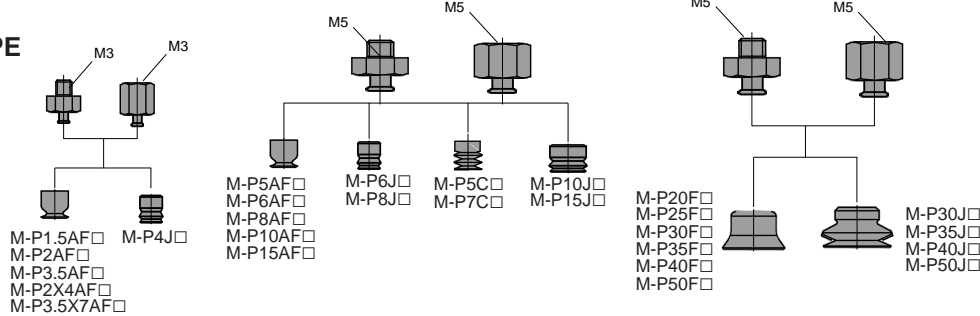
M  
2'  
C  
3Ø  
4  
3y  
。

**M 2C303**

**M-PC/D**



**M-PE**



M  
2'  
C  
30  
4  
3y  
°  
≡